

4

3

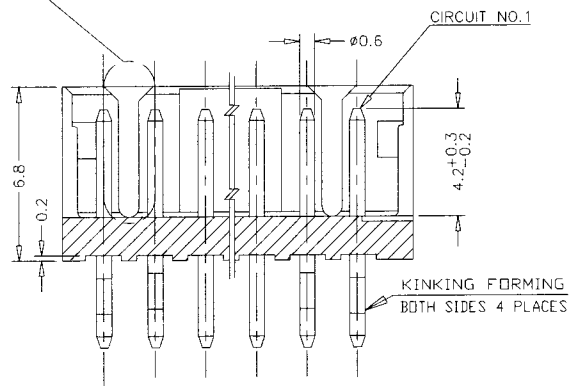
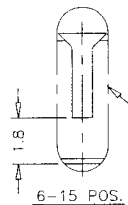
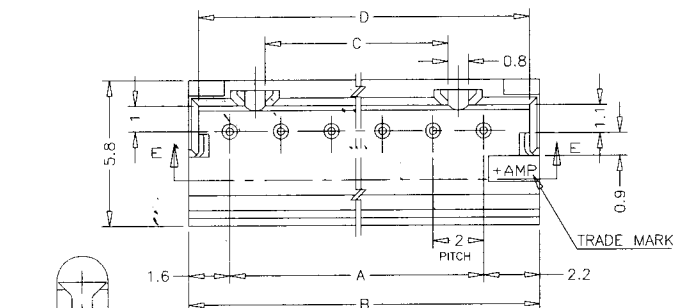
2

1

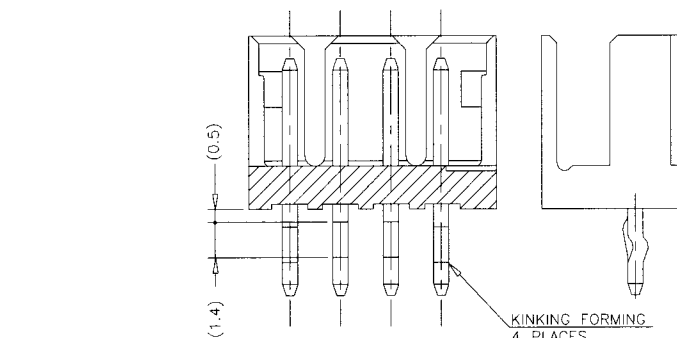
THIS DRAWING IS UNPUBLISHED. RELEASED FOR PUBLICATION
© COPYRIGHT BY TYCO ELECTRONICS CORPORATION. ALL RIGHTS RESERVED.

LOC FB DIST 00

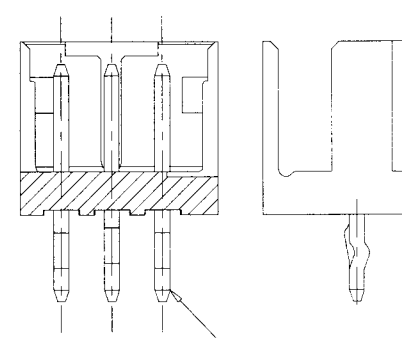
REVISIONS			DATE	DWN	APVD
P	LTR	DESCRIPTION			
0	RELEASED	FB00-0013-03	23JAN03	J.J	T.S



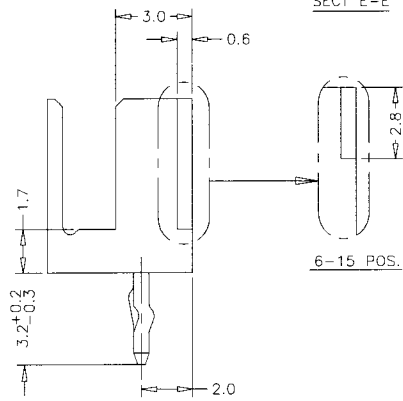
SECT E-E 5~15 POS.



SECT E-E 4 POS.

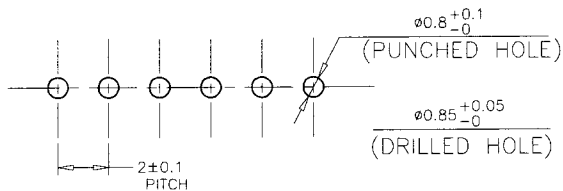


SECT E-E 3 POS.



2 POS. SECT E-E 2 PLACES

NOTES:
 1 MATERIAL : HOUSING-66 NYLON (UL94V-0)
 POST -GOLD-PLT BRASS
 2 APPLICABLE RECEPTACLE : P/N 176392

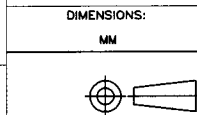


NOT ACCUMULATED TOLERANCE

RECOMMENDABLE P.C. BOARD LAYOUT
(PCB THK : 0.8-1.6)

TOLERANCES UNLESS OTHERWISE SPECIFIED:	
10>* :	±0.2
30>* >10 :	±0.25
100>* >30 :	±0.3
ANGEL :	±3°

THIS DRAWING IS A CONTROLLED DOCUMENT.



MATERIAL SEE NOTE

DIMENSIONS:	TOLERANCES UNLESS OTHERWISE SPECIFIED:
MM	
0 PLC	±
1 PLC	±
2 PLC	±
3 PLC	±
4 PLC	±
ANGLES	±

SEE NOTE

DWN	S.XU	31JAN03
CHK	S.YAO	31JAN03
APVD	T.SASAKI	31JAN03
PRODUCT SPEC	108-60016	
APPLICATION SPEC		
WEIGHT	-	
CUSTOMER DRAWING		

		Tyco Electronics Corporation			
		SHANGHAI, CHINA, 200233			
POST HEADER ASS'Y (BOX-V)					
GOLD PLT TYPE (AMP CT CONNECTOR 2mm PITCH)					
SIZE	CAGE CODE	DRAWING NO	RESTRICTED TO		
A3	00779	C=292134			
SCALE	SHEET	OF	REV		
5:1	1	1	0		

COLOR	P/N		POS.			
	A	B	C	D		
NATURAL (WHITE)	1-292134-5	15	28	31.8	25.2	31.0
	1-	-2	12	22	25.8	19.2
	1-	-0	10	18	21.8	15.2
		-9	9	16	19.8	13.2
		-6	6	10	13.8	7.2
		-5	5	8	11.8	5.2
		-4	4	6	9.8	3.2
		-3	3	4	7.8	—
		-2	2	2	5.8	—
		-1	1	1	3.8	—